

SANYO

No.2307

STK4231II

2-Channel 100W min AF Power Amp
(Dual Supplies)

Features

- The STK4201II series (STK4231II) and STK4201V series (high-grade type) are pin-compatible in the output range of 60W to 100W. Once the PCB pattern is designed, you can easily satisfy the requirements for new sets simply by changing the IC.
- Built-in muting circuit to cut off various kinds of pop noise
- Greatly reduced heat sink due to case temperature 125°C guaranteed
- Excellent cost performance

Maximum Ratings at Ta = 25°C

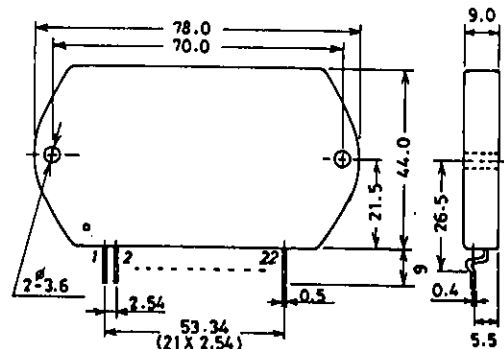
			unit
Maximum Supply Voltage	V _{CC} max	±75	V
Thermal Resistance	θ _{j-c}	1.1	°C/W
Junction Temperature	T _j	150	°C
Operating Case Temperature	T _C	125	°C
Storage Temperature	T _{stg}	-30 to +125	°C
Available Time for Load Shorted	t _s	V _{CC} = ±51.0V, R _L = 8Ω, f = 50Hz, P _o = 100W	1 S

Recommended Operating Conditions at Ta = 25°C

			unit
Recommended Operating Voltage	V _{CC}	±51.0	V
Load Resistance	R _L	8	Ω

Operating Characteristics at Ta = 25°C, V_{CC} = ±51.0V, R_L = 8Ω, R_g = 600Ω, V_G = 40dB,

			min	typ	max	unit
Quiescent Current	I _{cco}	V _{CC} = ±60V	20	40	100	mA
Output Power	P _o	THD = 0.4%, f = 20Hz to 20kHz	100			W
Total Harmonic Distortion	THD	P _o = 1.0W, f = 1kHz			0.3	%
Frequency Response	f	P _o = 1.0W, ± ⁰ / ₃ dB		20 to 50k		Hz
Input Resistance	r _i	P _o = 1.0W, f = 1kHz		55		kΩ
Output Noise Voltage	V _{NO}	V _{CC} = ±60V, R _g = 10kΩ			1.2	mV _{rms}
Midpoint Voltage	V _N	V _{CC} = ±60V	-70	0	+70	mV
Muting Voltage	V _M		-2	-5	-10	V

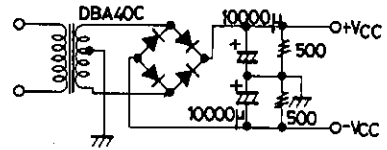
Package Dimensions 4086
(unit: mm)

SANYO Electric Co., Ltd. Semiconductor Business Headquarters
TOKYO OFFICE Tokyo Bldg., 1-10, 1 Chome, Ueno, Taito-ku, TOKYO, 110 JAPAN

STK4231II

Note) · For power supply at the time of test, use a constant-voltage power supply unless otherwise specified.

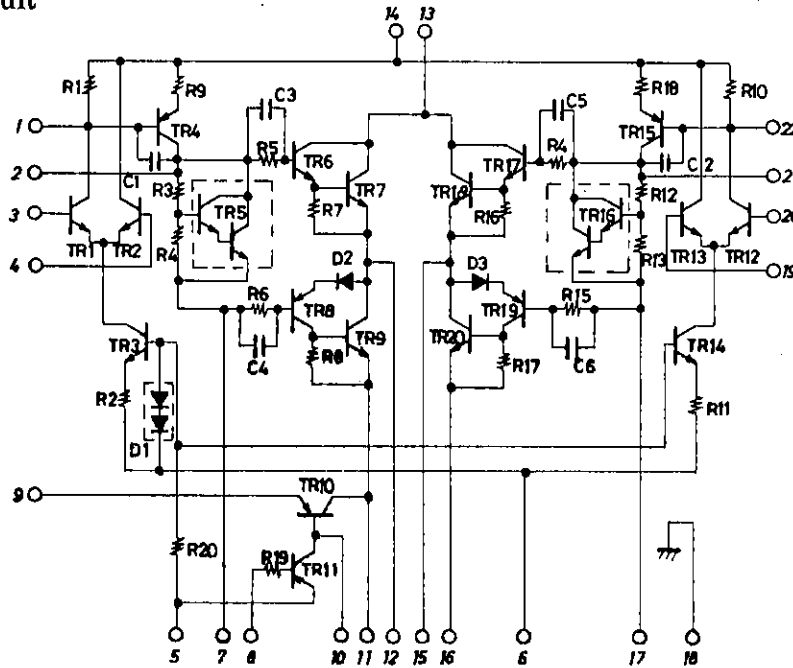
- For measurement of the available time for load shorted and output noise voltage, use the specified transformer power supply shown right.
- The output noise voltage is represented by the peak value on rms scale (VTVM) of average value indicating type. For AC power supply, use an AC stabilized power supply (50Hz) to eliminate the effect of flicker noise in AC primary line.



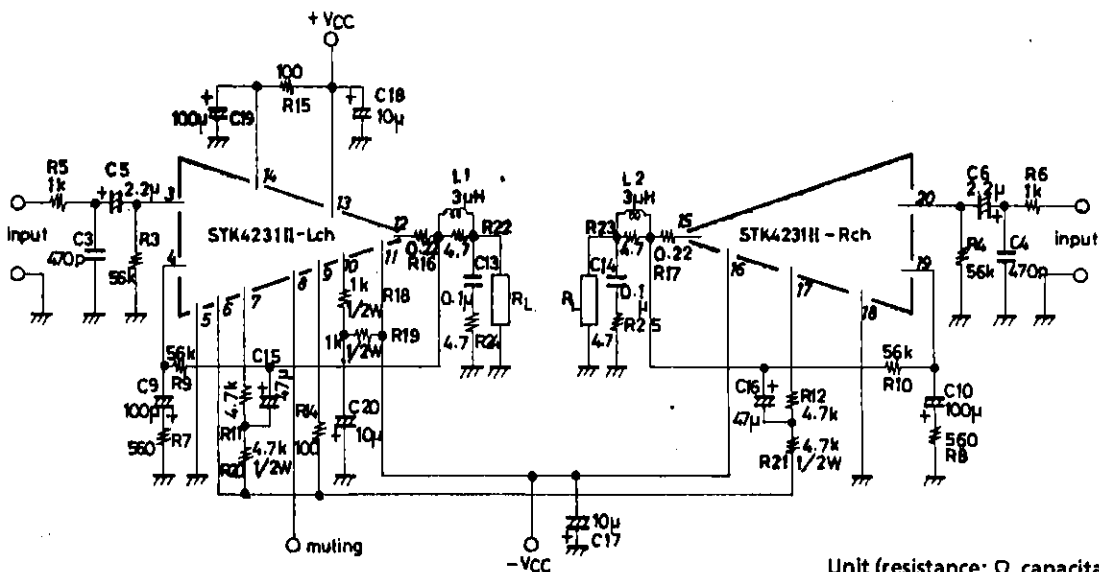
Specified Transformer Power Supply
(Equivalent to MG-200)

Unit (resistance: Ω, capacitance: F)

Equivalent Circuit

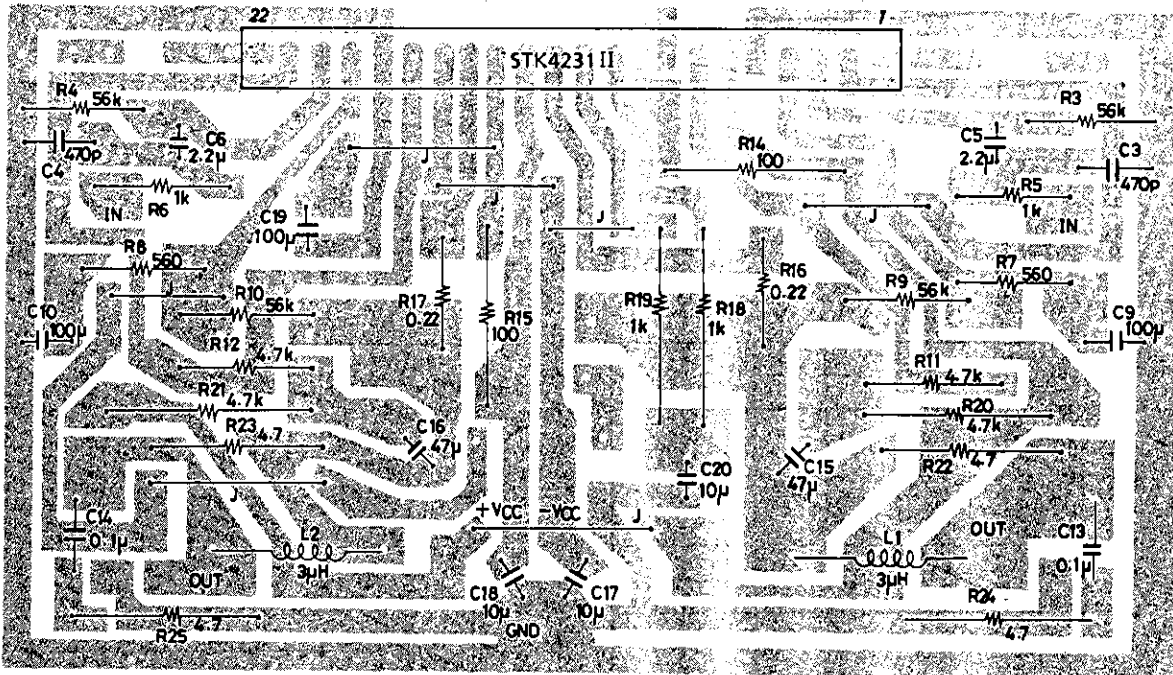


Sample Application Circuit: 100W min 2-channel AF power amp

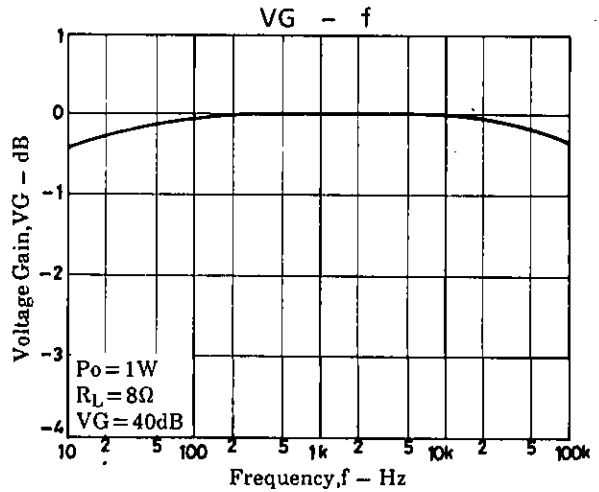
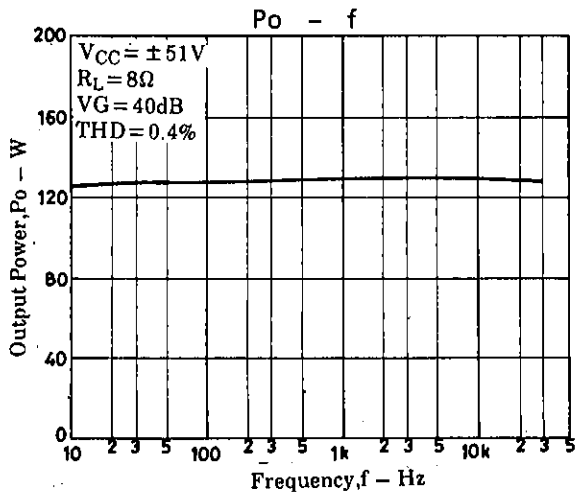
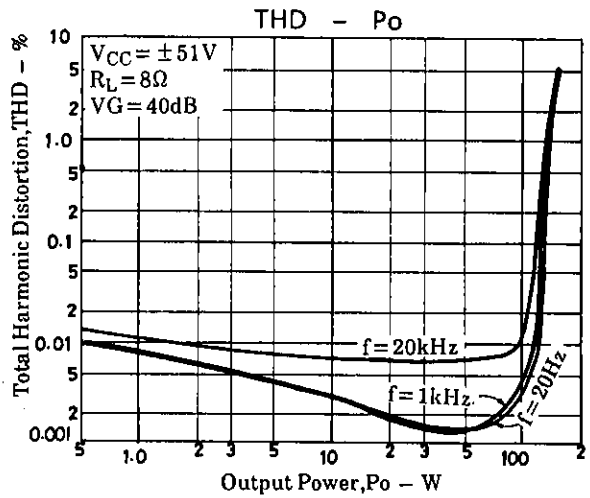
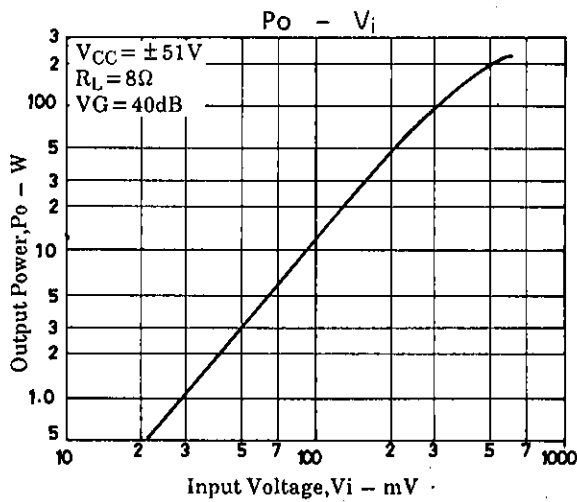


Unit (resistance: Ω, capacitance: F)

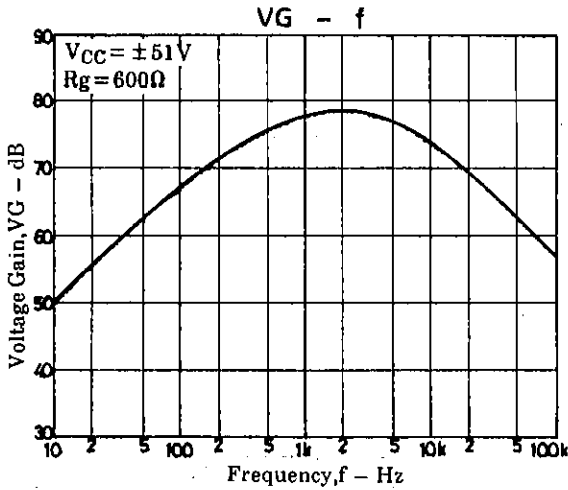
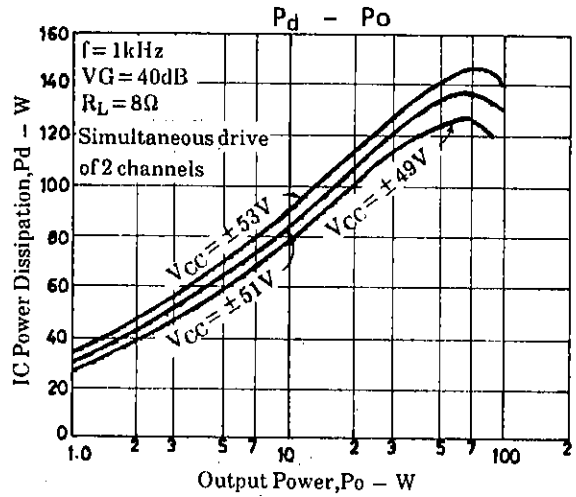
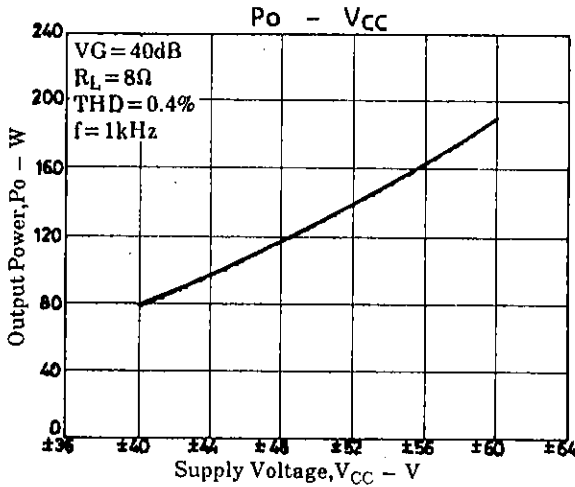
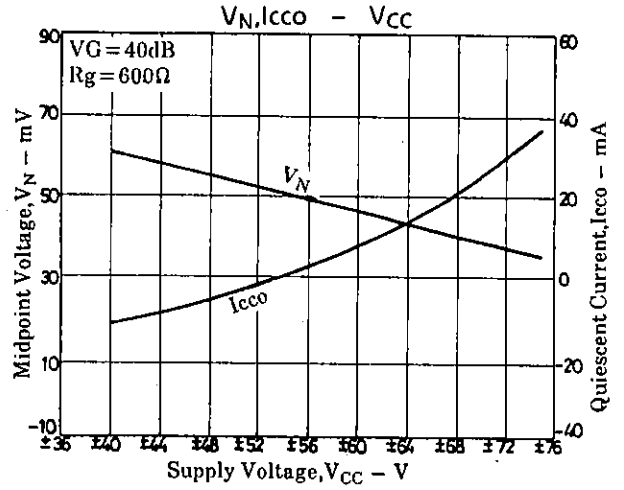
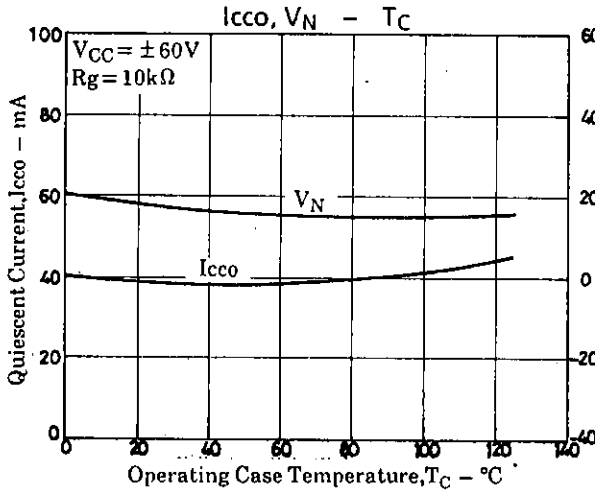
Sample Printed Circuit Pattern for Application Circuit (Cu-foiled side)



Unit (resistance: Ω , capacitance: F)

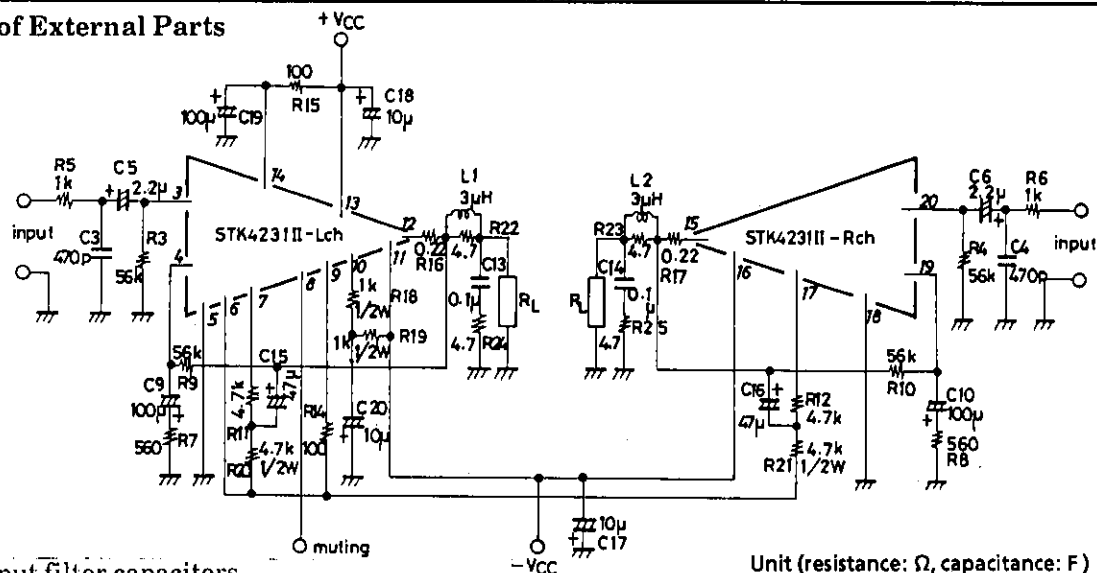


STK4231II



STK4231 II

Description of External Parts



Unit (resistance: Ω, capacitance: F)

- C3, C4 :** Input filter capacitors
 - A filter formed with R5 or R6 can be used to reduce noise at high frequencies.
- C5, C6 :** Input coupling capacitors
 - Used to block DC current. When the reactance of the capacitor increases at low frequencies, the dependence of 1/f noise on signal source resistance causes the output noise to worsen. It is better to decrease the reactance.
 - To reduce the pop noise at the time of application of power, it is effective to increase C5, C6 that fix the time constant on the input side and to decrease C9, C10 on the NF side.
- C9, C10 :** NF capacitors
 - These capacitors fix the low cutoff frequency as shown below.

$$f_L = \frac{1}{2\pi \cdot C9 \cdot R7} \quad [\text{Hz}]$$

To provide the desired voltage gain at low frequencies, it is better to increase C9. However, do not increase C9 more than needed because the pop noise level becomes higher at the time of application of power.

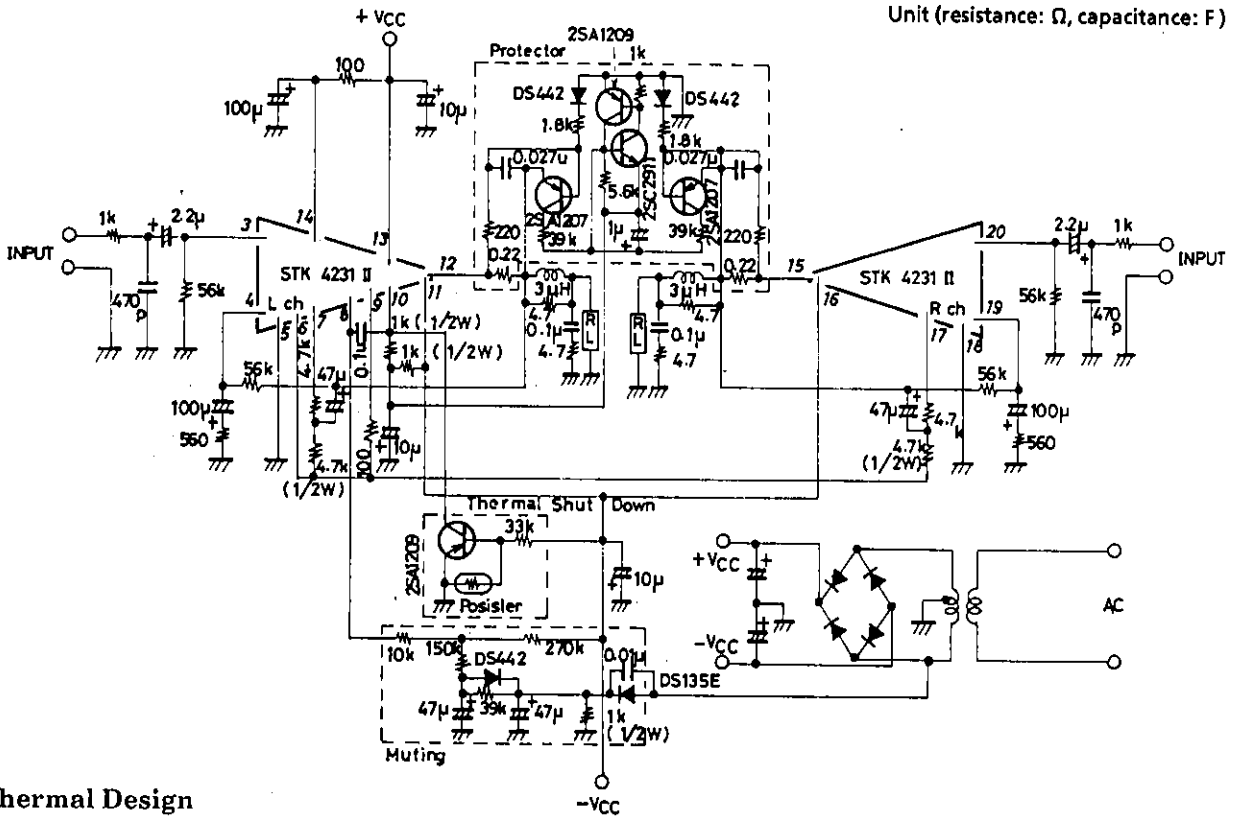
- C19 :** Decoupling capacitor
 - Used to eliminate the ripple components that mix into the input side from the power line (+VCC).
- C15, C16 :** Bootstrap capacitors
 - When the capacitor value is decreased, the distortion is liable to be higher at low frequencies.
- C17, C18 :** Oscillation blocking capacitors
 - Must be inserted as close to the IC power supply pins as possible so that the power supply impedance is decreased to operate the IC stably.
 - Electrolytic capacitors are recommended for C17, C18.
- C20 :** Capacitor for ripple filter
 - Capacitor for the TR10-used ripple filter in the IC system
- C13, C14 :** Oscillation blocking capacitors
 - A polyester film capacitor, being excellent in temperature characteristic, frequency characteristic, is recommended for C13, C14.
- R5, R6 :** Resistors for input filter
- R3, R4 :** Input bias resistors
 - Used to bias the input pin potential to zero. These resistors fix the input impedance practically.
- R7, R9 :** These resistors fix voltage gain VG.
- (R8, R10)** It is recommended to use R7 (R8) = 560Ω, R9 (R10) = 56kΩ for VG = 40dB.
 - To adjust VG, it is desirable to change R7 (or R8).
 - When R7 (or R8) is changed to adjust VG, R3 (=R4) = R9 (=R10) must be set to ensure V_N balance.
- R11, R20 :** Bootstrap resistors
- (R12, R21)** The quiescent current is set by these resistors 4.7kΩ + 4.7kΩ. It is recommended to use this resistor value.

Continued on next page.

Continued from preceding page.

- R15: Resistor for ripple filter
· (Limiting resistor for predriver TR at the time of load short)
- R14: Used to ensure plus/minus balance at the time of clip.
- R18, R19: Resistor for ripple filter
· When muting TR11 is turned ON, current flows from ground to $-V_{CC}$ through TR11. It is recommended to use $1k\Omega$ (1W) + $1k\Omega$ (1W) allowing for the power that may be dissipated on that occasion.
- R24, R25: Oscillation blocking resistors
- R16, R17: Output limiting resistors
- R22, R23: { For high-frequency oscillation blocking
- L1, L2: {

Sample Application Circuit (protection circuit and muting circuit)



Thermal Design

The IC power dissipation of the STK4231II at the IC-operated mode is 137W max. at load resistance 8Ω (simultaneous drive of 2 channels) for continuous sine wave as shown in Fig.1.

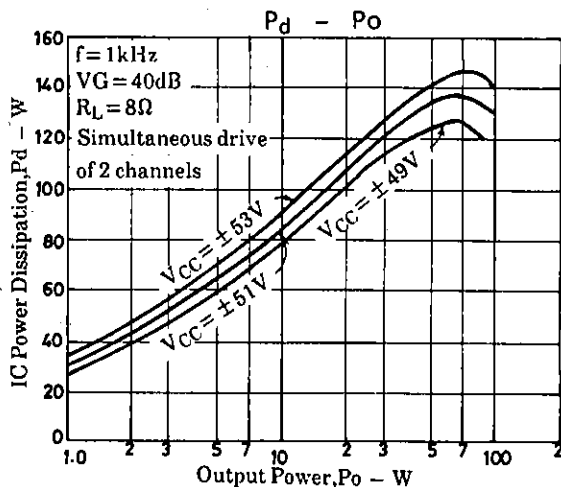


Fig.1 STK4231II Pd - Po ($R_L = 8\Omega$)

STK4231 II

In an actual application where a music signal is used, it is impractical to estimate the power dissipation based on the continuous signal as shown above, because too large a heat sink must be used. It is reasonable to estimate the power dissipation as 1/10 Po max. (EIAJ).

That is, Pd = 86W at 8Ω

Thermal resistance θc-a of a heat sink for this IC power dissipation (Pd) is fixed under conditions 1 and 2 shown below.

Condition 1: $T_C = Pd \times \theta_{c-a} + T_a \leq 125^\circ\text{C} \dots\dots\dots (1)$
 where T_a : Specified ambient temperature
 T_C : Operating case temperature

Condition 2: $T_j = Pd \times (\theta_{c-a}) + Pd/4 \times (\theta_{j-c}) + T_a \leq 150^\circ\text{C} \dots\dots\dots (2)$
 where T_j : Junction temperature of power transistor

Assuming that the power dissipation is shared equally among the four power transistors (2 channels × 2), thermal resistance θj-c is 1.1°C/W and

$$Pd \times (\theta_{c-a} + 1.1/4) + T_a \leq 150^\circ\text{C} \dots\dots\dots (3)$$

Thermal resistance θc-a of a heat sink must satisfy inequalities (1) and (3).

Fig.2 shows the relation between Pd and θc-a given from (1) and (3) with Ta as a parameter.

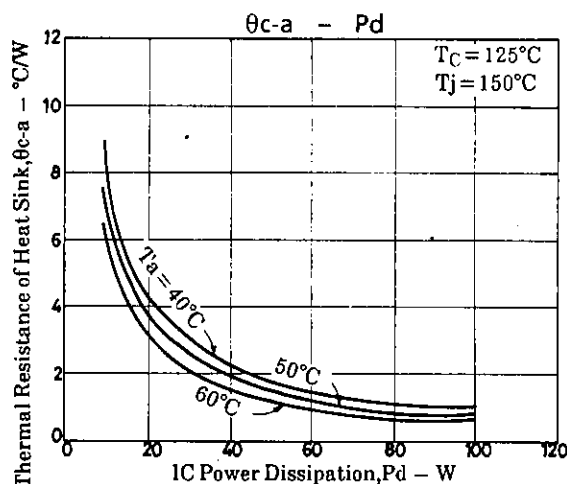


Fig.2 STK4231 II. θc-a - Pd

[Example] The thermal resistance of a heat sink is obtained when the ambient temperature specified for a stereo amplifier is 50°C.

Assuming $V_{CC} = \pm 51.0\text{V}$, $R_L = 8\Omega$,

$R_L = 8\Omega$: Pd = 86W at 1/10 Po max.

The thermal resistance of a heat sink is obtained from Fig.2.

$R_L = 8\Omega$: θc-a = 0.87°C/W

Tj when a heat sink is used is obtained from (3).

$R_L = 8\Omega$: Tj = 148.5°C

- No products described or contained herein are intended for use in surgical implants, life-support systems, aerospace equipment, nuclear power control systems, vehicles, disaster/crime-prevention equipment and the like, the failure of which may directly or indirectly cause injury, death or property loss.
- Anyone purchasing any products described or contained herein for an above-mentioned use shall:
 - ① Accept full responsibility and indemnify and defend SANYO ELECTRIC CO., LTD., its affiliates, subsidiaries and distributors and all their officers and employees, jointly and severally, against any and all claims and litigation and all damages, cost and expenses associated with such use;
 - ② Not impose any responsibility for any fault or negligence which may be cited in any such claim or litigation on SANYO ELECTRIC CO., LTD., its affiliates, subsidiaries and distributors or any of their officers and employees jointly or severally.
- Information (including circuit diagrams and circuit parameters) herein is for example only; it is not guaranteed for volume production. SANYO believes information herein is accurate and reliable, but no guarantees are made or implied regarding its use or any infringements of intellectual property rights or other rights of third parties.